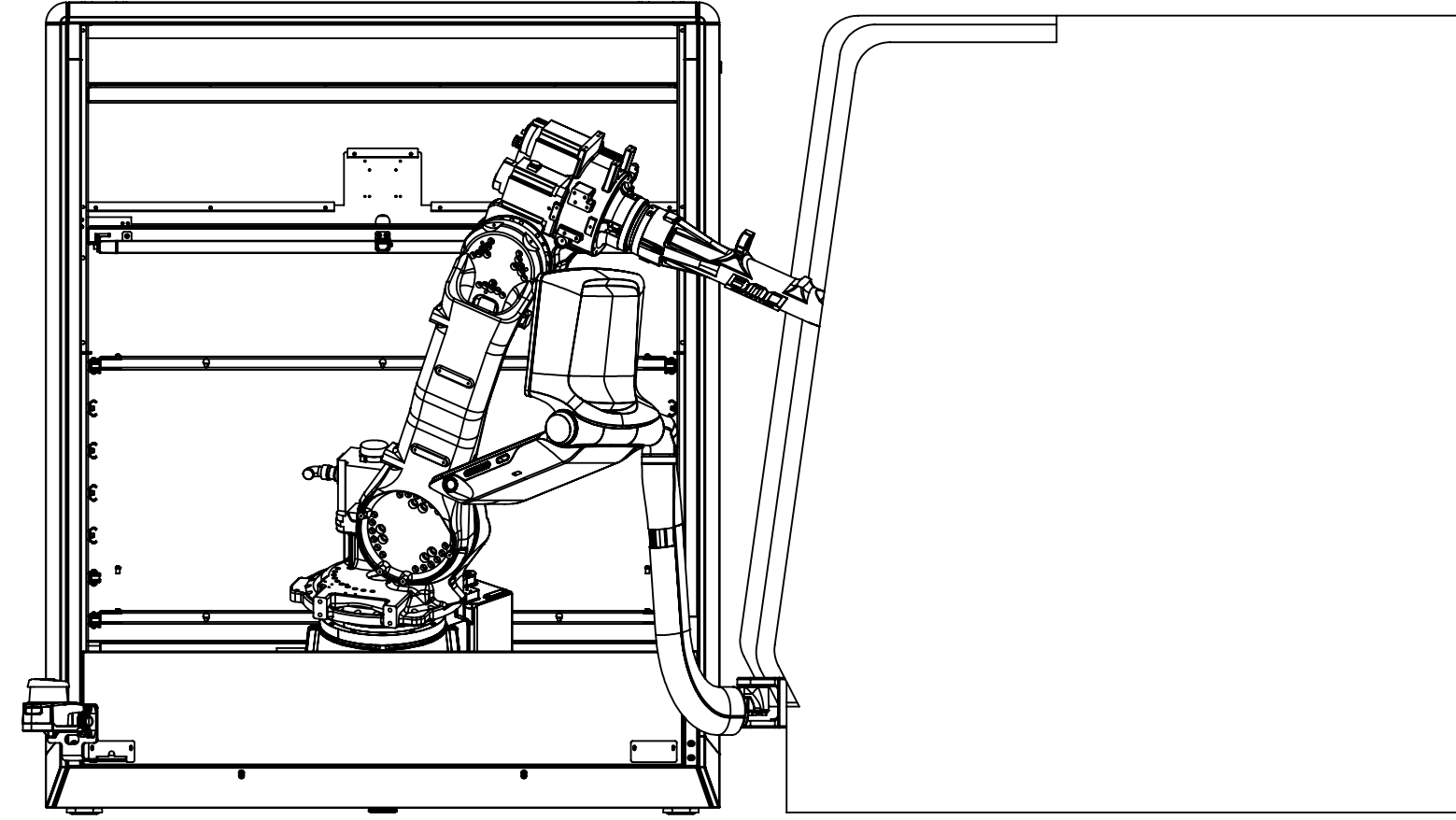
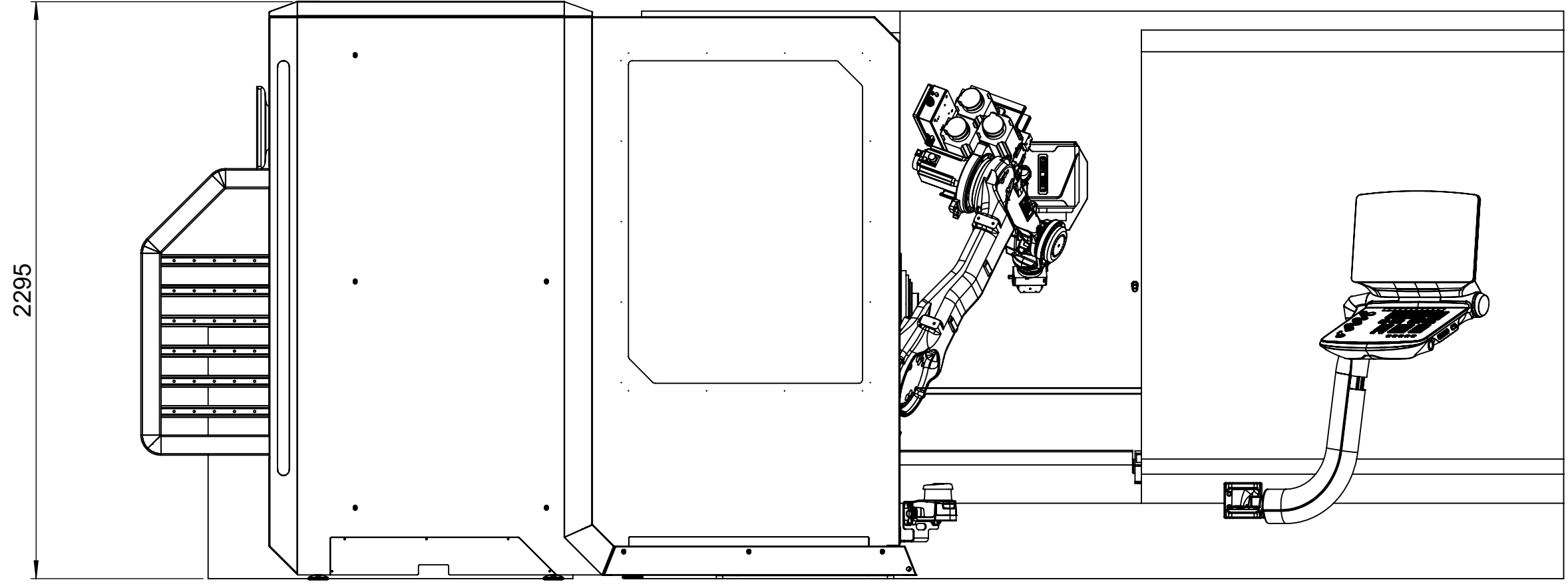
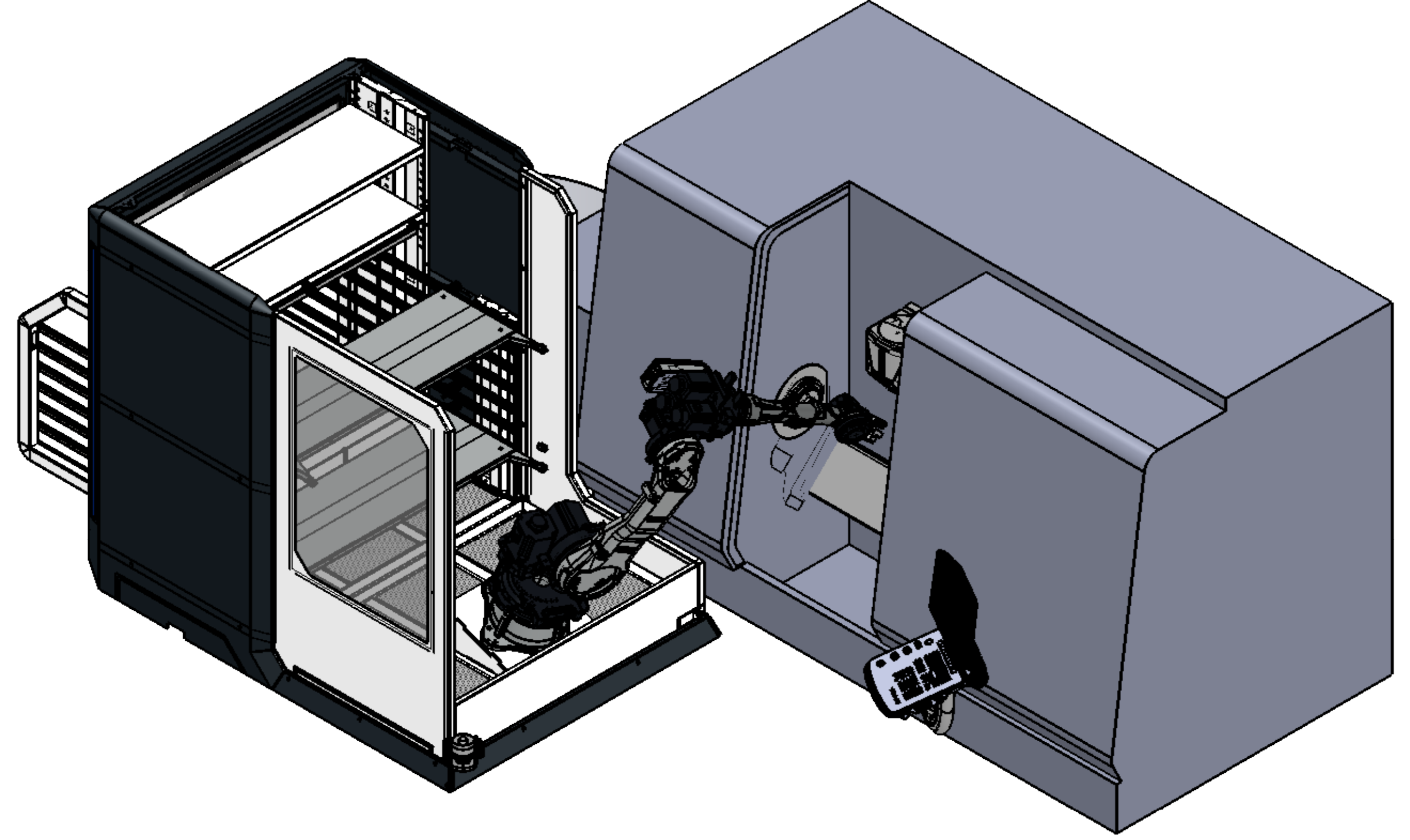
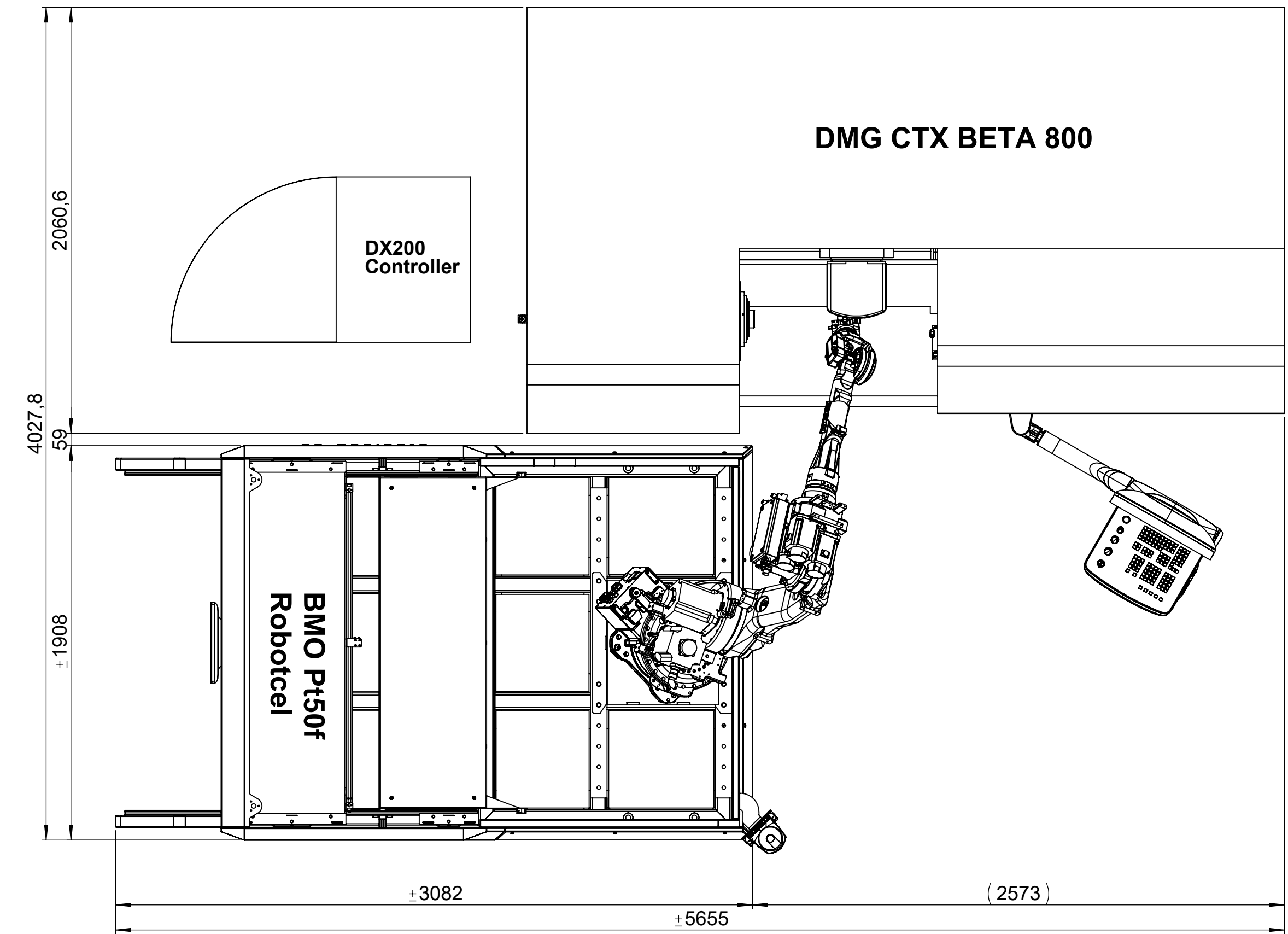


REVISIONS			Date	Approved
Rev.	ZONE	Description		



Description: Pt50f - DMG CTX BETA 800		Drawn : P.J.	Project :
Material: See mono's		Date : 25-10-2017	American projection
Treatment:		Status :	Weight : 49799,49 kg
BMO AUTOMATION		Scale : 1:20	Sheet No. : 1/1
BMO Automation Magnumstraat 18 6531 RV Nieuwegein The Netherlands T: +31 (0) 456 622437 E: info@bmoautomation.nl www.bmoautomation.nl		Dimensional tolerances according to ISO 2768-mK	ISO 2768-mK
		Roughness according to EN-ISO 1302	EN-ISO 1302
		Geometrical tolerances according to EN-ISO 1101	EN-ISO 1101
Drawing no: Pt50f DMG CTX BETA 800		Revision	A1
			0